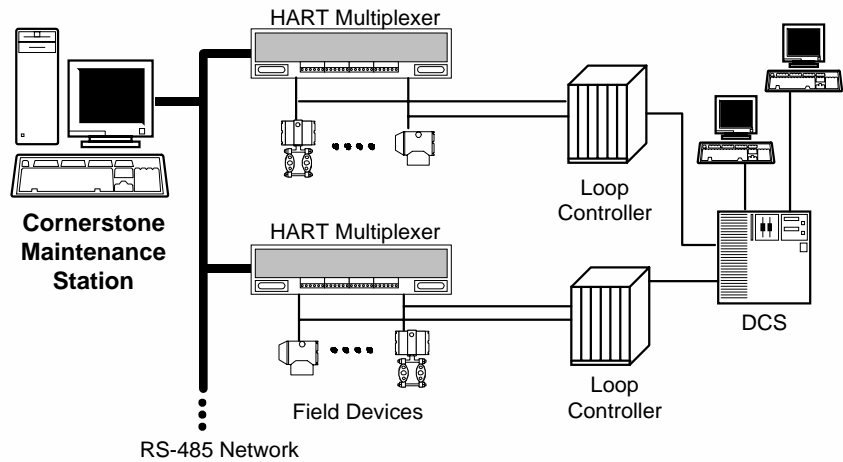




HART[®] interchange ComLib

- ◆ On-line Interface to HART[®] Instruments
- ◆ Remote Configuration & Diagnosis
- ◆ Rosemount[®] HART interchange, Arcom HPORT, Elcon Type 1700 & 2700 Multiplexers



The Cornerstone **HART interchange Communication Library** (ComLib) provides the software connection between a computer running Cornerstone Base Station or Configurator software and networks of compatible HART Multiplexers. Any of the supported multiplexer models can be present on the same RS-485 network.

Communicate with attached HART instruments, regardless of their location in your facility, even in intrinsically safe locations. Use this system to remotely configure, diagnose, trim, maintain, and document your HART smart instruments.

With the optional Cornerstone Instrument Status Monitor, the HART interchange ComLib automates plant-wide scanning and status monitoring of all attached HART instruments. Any configuration changes, including those made in the field, are detected and recorded. An “auto-learn” feature searches the network for all attached instruments and automatically creates the Cornerstone instrument database.

Use this management system to achieve dramatic labor savings by eliminating unnecessary trips to the plant floor, and by automating record keeping activities.

Instrument Database:

- ◆ Add instruments upon connection
- ◆ Store recall parameters
- ◆ Access diagnostic information
- ◆ Monitor process variables

With Instrument Status Monitor:

- ◆ “Auto-Learn” all attached devices
- ◆ “Auto-Track” configuration changes

Cornerstone[™]
The Open Platform for Instrument Management

HART interchange ComLib Features

- Supports HART instrument connection, configuration, and status retrieval using Rosemount HART interchange, Arcom HPORT, or Elcon Type 1700 and 2700 multiplexers
- Assists in detecting and resolving duplicate ID's in the multiplexer network for HART revision 4 instruments
- Assists in detecting and resolving duplicate tags
- If optional Instrument Status Monitor is present, an auto-learn feature automatically obtains memory contents of all attached instruments and creates Cornerstone database entries if not yet present
- Any of the compatible multiplexer types supported by this ComLib can be present on the same RS-485 network

Requirements

- Cornerstone Base Station or Configurator Software
- Microsoft Windows 98, Windows NT, Windows 2000, or Windows XP
- One or more of the supported HART multiplexers
- For each instrument network, one RS-232 port with RS-485 to RS-232 Converter from list of compatible units

BENEFITS

- **Unified instrument data base speeds installation and commissioning**
- **Remote instrument access reduces operation and maintenance costs**
- **Knowledge of instrument status and digital process variables complements existing control strategies**
- **Structured user interface simplifies management of the instrument network**



HART interchange ComLib Functions

- Network initialization - restarts each multiplexer on the network
- Compiles a list of the attached instruments and multiplexers without manual data entry
- Configure node (multiplexer) tag, description, and message
- Displays node ID and revision information
- Obtains node status and performance information
- View node operational status and adjust operational parameters
- Enable/disable node operation
- Add/remove instruments from current on-line access list
- Provide HART instrument data read and write access to other Windows application programs via DDE interface

Specifications

- Communications: to 38.4 Kbps
- Computer interface: RS-232 port with RS-485 converter
- HART Master mode: Primary or Secondary
- Instruments per node: 32
- The HART interchange ComLib software is available in three instrument capacities:

	Small	Medium	Large
Instruments:	128	2000	3968
Networks:	4	4	4

Cornerstone and the Cornerstone logo are trademarks of Applied System Technologies, Inc. Windows is a trademark of Microsoft Corporation. Rosemount is a registered trademark of Rosemount Inc. HART is a registered trademark of the HART Communication Foundation. 13 May 2005
 © Copyright 2005 Applied System Technologies, Inc. All rights reserved. Specifications subject to change without notice. 710-00009-007



applied system technologies, inc.
 p.o. box 309, dunnellon, florida 34430

Telephone: (352) 465-0201
 WEB: cornerstone-software.com